



FOV Fabrics AB

Innovator of High Tech Fabrics

FOV Fabrics AB

- Founded in 1962
- 75 employees
- Turnover EUR 12,5 Million (2012/2013)
- 17,000 sqm factory
- Most well known innovation - Airbag





Markets

- Clothing:

- Sports/Leisure
- Casual/Street
- Workwear

Technical Textile:

- Automotive
- Health Care
- Offshore
- Aviation
- Defense





Manufacturing Processes

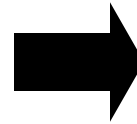
- Warping
- Weaving
- Dyeing
- Coating
- Finishing
- Printing
- Testing/QC



Greener and Leaner

- From Wet to dry

Scouring
Dyeing
Printing
Finishing
Coating



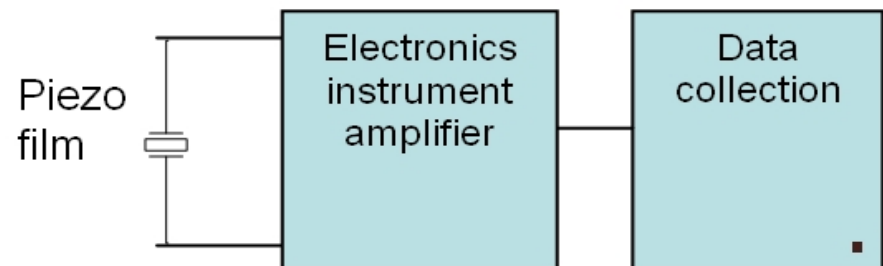
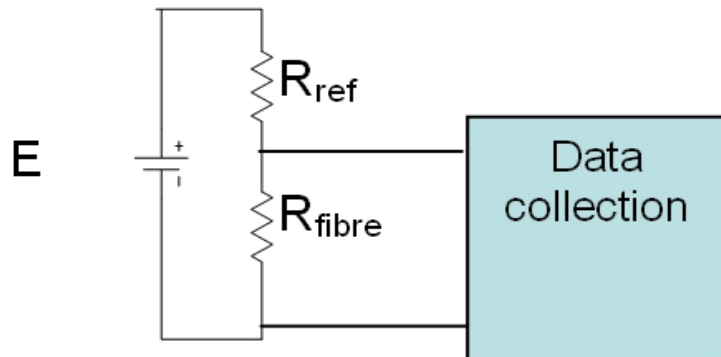
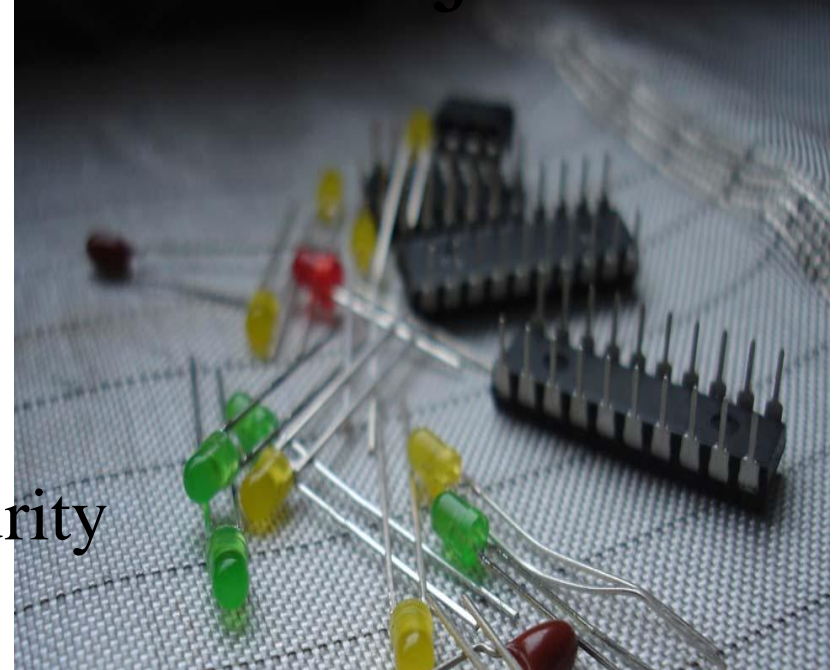
CO₂,
CO₂,
Digitalprint

- No Water
- No Sewage Water
- Less Energy
- Less Handling
- Increased
- Flexibility
- New Products



Ongoing Development Projects

- Biogasreactor
- Floor Heating-CE
- Electro Static Filters
- Conductive Weave
- Sensors for Transport Security





Productdevelopment

- Polyamide & Polyester
- Stretch - Lycra, PBT
- Vectran -Twaron - Dynema
- Flameretardent PA 6.6
- Hua Mao - Co Operation
- PangRim - Co Operation